



DeZURIK ENK NECK
EXTENSION USED ON
BOS-US BUTTERFLY VALVES

DeZURIK

ENK Neck Extension used on BOS-US Butterfly Valves

Instructions

These instructions provide information about the ENK Neck Extension. They are for use by personnel who are responsible for installation, operation and maintenance of ENK Neck Extension.

Safety Messages

All safety messages in the instructions are flagged with an exclamation symbol and the word Caution, Warning or Danger. These messages indicate procedures that must be followed exactly to avoid equipment damage, personal injury or death.

Safety label(s) on the product indicate hazards that can cause equipment damage, personal injury or death. If a safety label becomes difficult to see or read, or if a label has been removed, please contact DeZURIK for replacement label(s).



WARNING!

Personnel involved in the installation or maintenance of valves should be constantly alert to potential emission of pipeline material and take appropriate safety precautions. Always wear suitable protection when dealing with hazardous pipeline materials. Handle valves, which have been removed from service with suitable protection for any potential pipeline material in the valve.

Inspection

Your ENK Neck Extension has been packaged to provide protection during shipment, however, it can be damaged in transport. Carefully inspect the unit for damage upon arrival and file a claim with the carrier if damage is apparent.

Warranty Disclaimer

Failure to closely follow these instructions may cause damage to the valve, actuator or accessory and may void the manufactures warranty. Contact the DeZURIK Field Service department (320-259-2000) with any questions.

Parts

Recommended spare parts are listed on the assembly drawing. These parts should be stocked to minimize downtime.

Order parts from your DeZURIK sales representative, or directly from DeZURIK. When ordering parts, please include the 7-digit part number and 4-digit revision number (example: **9999999R000**) located on the data plate attached to the valve assembly. Also include the part name, the assembly drawing number, the balloon number and the quantity stated on the assembly drawing.

DeZURIK Service

DeZURIK service personnel are available to install, maintain and repair all DeZURIK products. DeZURIK also offers customized training programs and consultation services.

For more information, contact your local DeZURIK sales representative or visit our website at www.dezurik.com.

Table of Contents

Description	4
Disassembly	5
<i>To remove the extension from the valve</i>	5
<i>To remove the actuator from the extension</i>	5
Reassembly	5
<i>To replace the extension on the valve</i>	5
<i>To replace the actuator on the extension</i>	5

Description

The ENK Neck Extension is located between the valve and the valve actuator, and is used to extend the distance from the valve to the actuator. The extension consists of a stationary outer extension and a rotating inner extension to transmit the torque from the actuator to the valve. This document provides instructions for the extension when used with lever, manual gear and cylinder actuators.

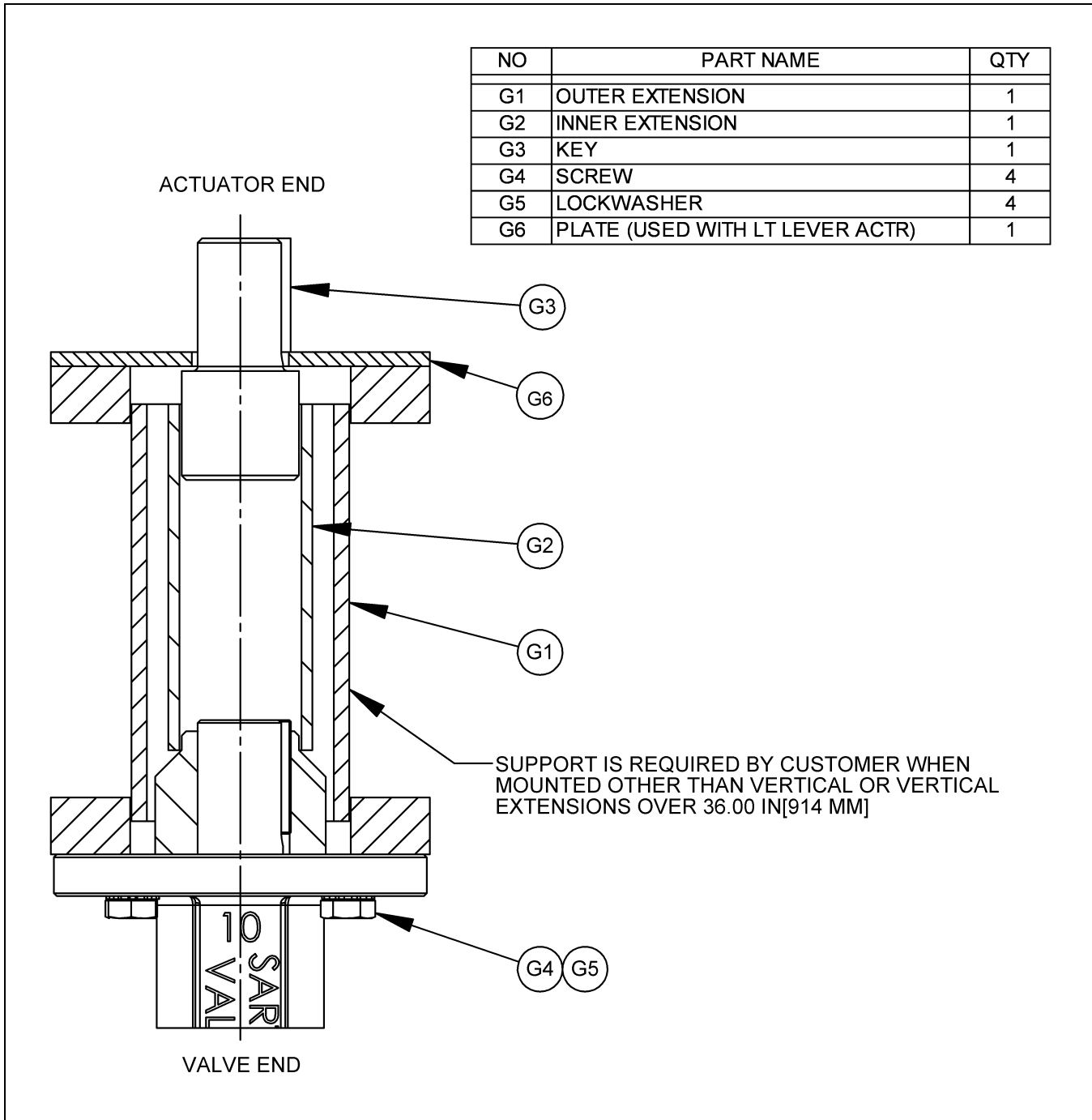


Figure 1—Parts Identification

Disassembly

Before disassembly, relieve the pressure and stop the flow in the pipeline.



WARNING!

Flow in the pipeline with the extension or actuator removed can allow the valve to slam closed and cause personal injury and/or damage to the flow system. Shut down the flow in the pipeline before removing the extension or actuator.

To remove the extension from the valve

1. Remove the four mounting screws (G4) and lockwashers (G5) that mount the extension assembly to the valve.
2. Lift the extension assembly and actuator from the valve.

NOTE: Do not lose the drive key in the valve shaft.

To remove the actuator from the extension

1. Remove the actuator from the extension assembly by following the steps in the REMOVING ACTUATOR FROM VALVE section of the Actuator Instructions.

Reassembly

To replace the extension on the valve

1. Remove the gasket or sealant from the mating mounting surfaces between the extension and the valve. If a gasket was used, do not reuse the gasket; apply a thin bead of silicone sealant to the extension mounting surface. Apply the sealant between the inside diameter and the mounting hole pattern.



CAUTION!

Do not force the inner extension onto the valve shaft.

If the inner extension does not easily slide onto the valve shaft, contact the DeZURIK Field Service department (320-259-2000) for additional instructions before continuing reassembly.

2. Replace the key in the valve shaft. Engage the inner extension (G2) with the valve.
3. Mount the outer extension (G1) to the valve with the four mounting screws (G4) and lockwashers (G5); tighten the screws.

To replace the actuator on the extension

1. Remove the gasket or sealant from the mating mounting surfaces between the actuator and the extension. If a gasket was used, do not re-use the gasket; apply a thin bead of silicone sealant to the extension mounting surface. Apply the sealant between the inside diameter and the mounting hole pattern.
2. Mount the actuator on the extension assembly by following the steps in the REPLACING ACTUATOR ON VALVE section of the Actuator Instructions.

3. After inner extension (G2) is mounted, and shaft key (G3) is assembled in keyseat, secure shaft key by staking with a center punch on the end of the shaft. Stake on both sides of the shaft as shown in Figure 2.

Note: Do not deform the outside diameter of the shaft.

